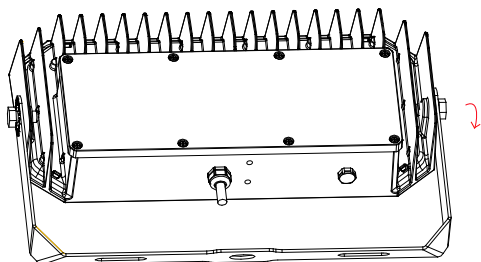
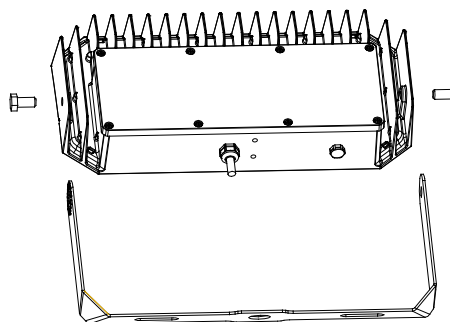


## Support replacement instructions

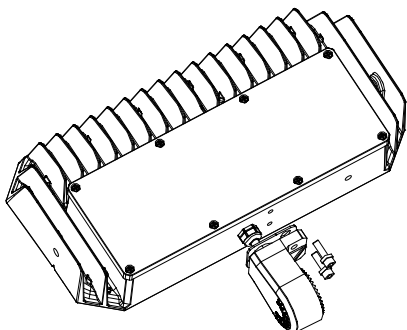
1. Loosen the side fastening bolts.



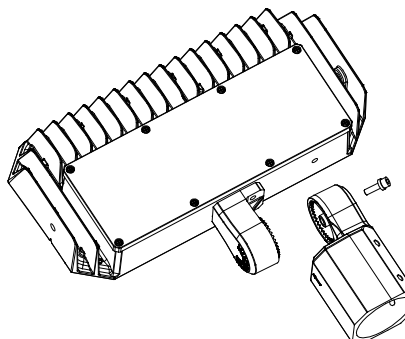
2. Remove the yoke bracket.



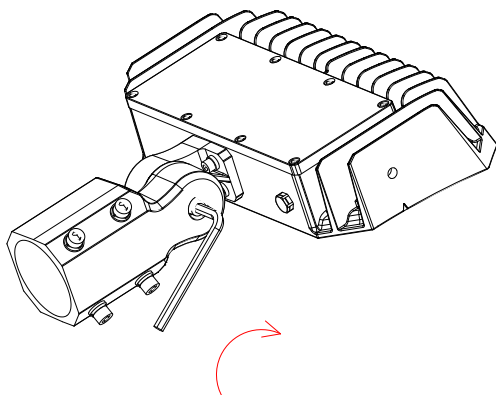
3. Pass the cable through the bracket base and fix the base on the lamp body.



3. Thread the cable through the slip fitter bracket and fasten it with bolts.



4. Adjust the angle to the required position and lock it.



Notice: The maximum diameter of lamp pole is  $\phi 60$ ,  
lamp adjustable angle is 0-90°